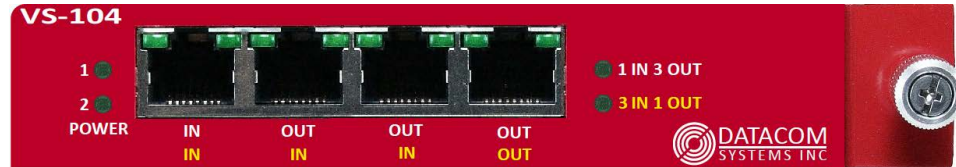




VS-104 Network Packet Broker



Full Network Visibility for Monitoring Solutions

VS-104

The VS-104 Packet Broker can be connected to Tap or SPAN ports to provide enhanced monitoring capability. The VS-104 make copies of the data created by Tap or SPAN ports, and provides the packet copy to one or multiple tools for application, security or recording purposes.

1 IN 3 OUT Mode

In this mode, the VS-104 can replicate traffic from a single Tap or SPAN port so that up to 3 monitoring tools have access to the copy of traffic.

In addition to being able to replicate traffic to multiple tools, this mode also provides the capability of sharing identical copies of traffic with multiple departments. This can eliminate SPAN port contention and allow each department access to a wider variety of data.

3 IN 1 OUT Mode

In this mode, the VS-104 can aggregate traffic from multiple SPAN ports or Taps for monitoring through a single tool. This option is preferred when a monitoring tool needs access to traffic from multiple points in the network, but only has a single port from which to receive traffic on.

Many network analysis or security tools are capable of monitoring traffic from many different points in the network at once. These tools however, only have a limited number of network interface cards and can only receive traffic from as many sources as they have ports.

Aggregation allows traffic to be combined from multiple sources including tap outputs, SPAN ports, or mirror ports. By combining the traffic originating from different sources into a single link, a single tool can be leveraged to provide security or analysis to a larger part of the network.

Reliable and Easy to Use

Unlike setting up operating systems and binding NICs, the VS-104 is simple to deploy, and every unit comes with dual redundant power supplies to ensure monitoring uptime. A convenient switch on the back of the device allows users to choose between 1 IN 3 OUT and 3 IN 1 OUT modes. After setting the switch, the device is plug and play. There is no other configuration or setup necessary for this easy to use, reliable device.

Security

VERSAsystem™ Network Packet Brokers are deployed out-of-band, and have no MAC or IP settings on the traffic ports. Because of this, the switch is invisible to the network and does not modify the traffic passing through it.

Use the VS-104 when you want to collect and capture packets for a security or storage application. The copy of traffic into the security or monitoring tool is one-way, so the VS-104 won't become a point of access for hackers, nor can anyone get to the security probe or recording device through the packet broker (since the traffic is one way).

Highlights

- View entire full-duplex conversations using single-interface monitoring tools
- Decrease reliance on switch resources for network management visibility. Eliminate SPAN port contention, oversubscription, and configuration errors
- Deploy tools immediately without impacting your production network
- Easily share monitor ports for improved monitoring without maintenance windows
- Single point of deployment and remote management minimizes management expenses and MTTR
- Easy to deploy - switch selects 1 IN 3 OUT/ 3 IN 1 OUT mode
- One way traffic makes the attached monitoring tool invisible to the network.

Features

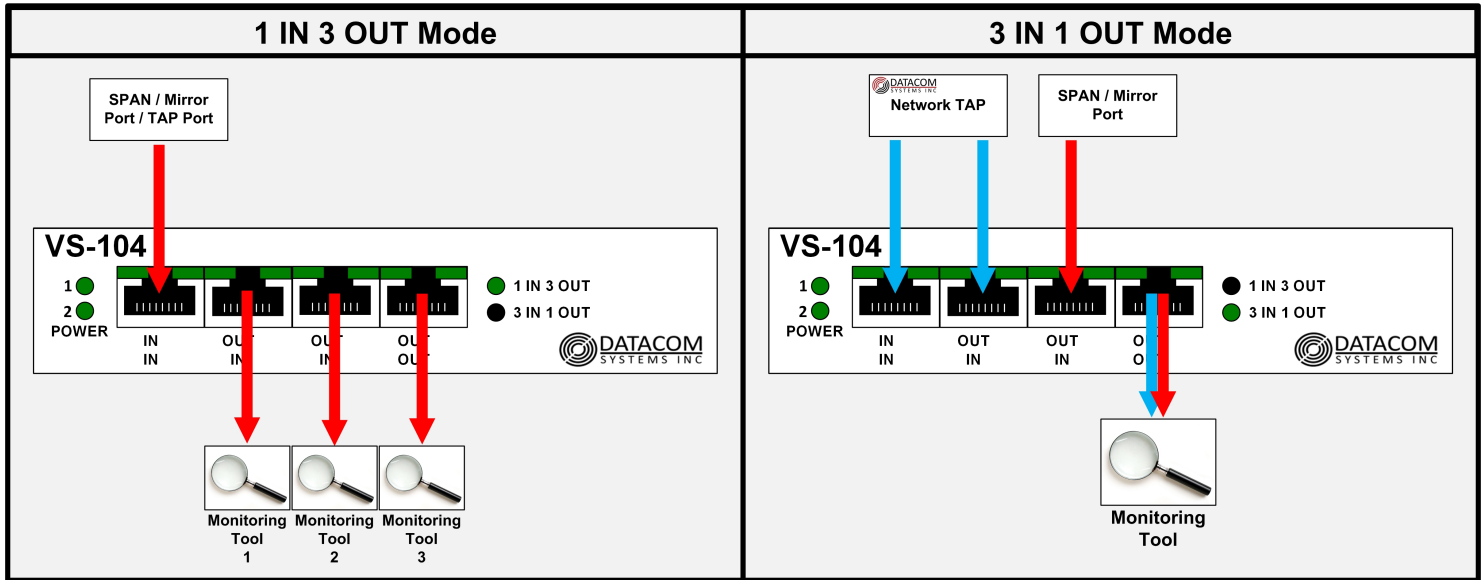
- Aggregation - Combine multiple network links or channels into one stream for visibility into complete network conversations
- Replication - Send copies of traffic from the tap to multiple connected tools to share data sources
- Power over Ethernet (POE) supported on all ports.
- Supports packet sizes up to 10240 bytes
- No configuration or management settings
- Auto Negotiate Settings for 10/100/1000Mbps
- Stays invisible to the network for enhanced security
- Dual Redundant Power ensures monitoring uptime.



VERSAtream™ 104



VS-104 Network Packet Broker



Technical Specifications

PORTS

Input: One (1) 10/100/1000 Network Port (RJ45)
Output: One (1) 10/100/1000 Network Port (RJ45)
Input or Output: Two (2) 10/100/1000 Any-to-Any Ports (RJ45)

POWER REQUIREMENTS

Two (2) External AC Adapters (included)
 Input: 100-240 VAC, 50-60Hz, Max. 50mA at 120VAC

CERTIFICATIONS

CE, RoHS, CAN ICES-3 (A)/NMB-3(A), FCC Part 15 Class B

PHYSICAL DIMENSIONS (H x W x D)

1.07 x 5.00 x 5.00 in (2.7 x 12.72 x 12.7 cm)

WEIGHT

12 oz. (0.34 kgs)

ENVIRONMENT

Operating Temperature: 32° to 104°F (0° to 40°C)
Storage Temperature: -22° to 149°F (-30° to 65°C)
 Humidity: 5 to 90% non-condensing
 < 25 BTU/h

WARRANTY

Two (2) Year Hardware Warranty included
 Advanced Replacement-Next Day, 3rd Business Day, and return to factory options available

ORDER INFORMATION

Product

VS-104

Description

4 Port Packet Broker with variable dip switch controlled configuration.

Redundant AC power supplies, region specific power cables and mounting bracket (for use with optional RMC rack mounts)

Optional Equipment

RMC-3

3-TAP 1U Rack Mount Chassis

RMC-12-3

12-TAP 4U Rack Mount Chassis

RMC-3A

RMC-2 Chassis Adaptor for compatibility with VS-104.

RPS-12-5-AC (or -DC)

12-TAP Dual Redundant Rack Mountable Power Supply Unit (specify AC or DC)



Pulse Supply

909 Ridgebrook Road., Sparks, Maryland 21152, USA

TEL : +1-410-583-1701 FAX : +1-410-583-1704

E-mail: sales@pulsesupply.com

<https://www.pulsesupply.com/datacom-systems>