



# SINGLStream™ 1408

## 10G/1G Fiber Aggregation Tap with Media Conversion



### Flexible, Line-Rate 10G/1G Fiber Tap for Cost Effective Data Capture and Monitoring Applications

#### Passive Tapping

This network tap is ideal for security applications, network monitoring - anywhere which requires visibility into all the data that only an In-line solution can provide. Invisible to the network, completely passive and fault-tolerant, fiber taps will not affect network performance or integrity.

A copy of all traffic from the network links is passively copied for monitoring. In the rare event of power loss, traffic is unaffected on connected network devices.

#### Aggregation (Many-to-Any)

Many-to-Any monitoring access aggregates network traffic and provides visibility for one or more monitoring tools. Aggregate and reassemble full duplex conversations from one or more trunked links.

Perfect for tools that don't support multiple monitoring interfaces or for redundant networks, EtherChannel, load balanced servers, and asymmetrically routed traffic.

#### Regeneration (Any-to-Many)

Any-to-Many configurations replicate copies of identical network traffic to provide multiple tools with monitoring access to the same links.

In addition to eliminating contention for scarce SPAN ports and test access points, multiple tools can be connected to the same link for redundancy, testing, or advanced monitoring applications.

#### Port Steering (Any-Any)

The monitoring ports can be configured as input (Network) or output (Monitor) ports on the fly through an easy to use command line interface (CLI). The designation of these ports may be changed as needs evolve

#### Robust Management, Security, and Logging

Manage your switch using built-in, easy to use CLI. Supports Remote Management, E-mail notifications, and event logging to monitor changes to the Tap and the connected devices.

### Highlights

- Consolidate monitoring tools to reduce management expenses and lower tool costs
- Single point of deployment and remote management minimizes management expenses and reduces MTTR
- Monitor 10G links with 1G tools for increased ROI and more efficient use of monitoring resources
- Easily share scarce SPAN ports and test access points without maintenance windows
- Allows immediate tool deployment without impacting the production network, thus simplifying the change control process

### Features

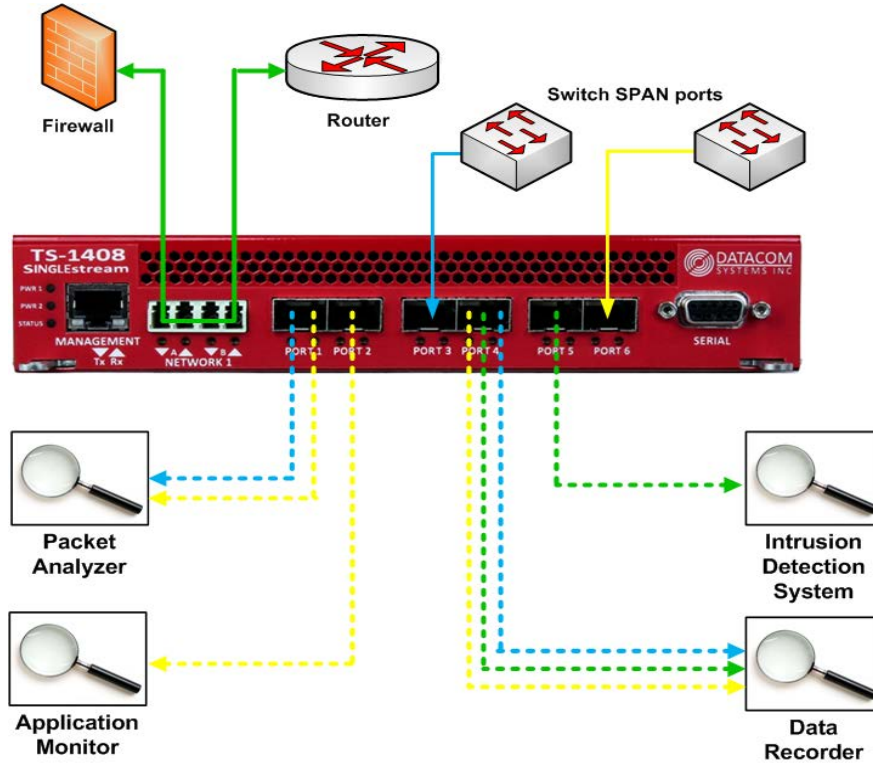
- Passive Tap eliminates risk of data traffic loss during power loss.
- 160 Gbps backplane
- All ports active with full features- no per port licensing
- Combine data sources into on stream and send copies to multiple connected tools to share data sources
- Flexible deployment options -copper single mode, multi-mode, and media conversion
- Dual redundant power supplies ensure monitoring uptime
- Manage device remotely or locally with an extensive CLI - supports SSH
- E-mail event notifications on user defined events
- NTP Support



# SINGLEstream™ 1408



## 10G/1G Fiber Aggregation Tap with Media Conversion



### Technical Specifications

#### PORTS

**Any-to-Any Ports:** Six (6) SFP+  
 (Supports SFP+ SR, LR, LRM, SFP SX, LX, BT)  
**Tap Ports:** Two (2) 10/1G Fiber  
**Management Port:** RJ45  
**Console Port:** DB9

#### POWER REQUIREMENTS

Dual Redundant Hot Swappable Power Supplies (Included)  
**Maximum Power Consumption:** Less than 90 Watts  
**Individual Power Supply Rating:** 100-240V ~50-60Hz 7A MAX.

#### CERTIFICATIONS

CE, RoHS

#### DIMENSIONS (HXWXD)

1.5 x 8.3 x 12.5 in (3.81 x 21.08 x 31.75 cm)

#### WEIGHT

3.75 lbs (1.7 kgs)

#### ENVIRONMENTAL

**Operating Temperature:** 32° to 104°F (0° to 40°C)  
**Storage Temperature:** -22° to 149°F (-30° to 65°C)  
**Humidity:** 5 to 90% non-condensing

#### WARRANTY

One (1) Year Hardware and Software support included  
 Premium Support option available

#### INSERTION LOSS

- Multimode (50/62.5 micron diameter) 50/50 = 4.2 dB
- Multimode (50/62.5 micron diameter) 70/30 = 3.0 / 6.7 dB
- Singlemode (9 micron diameter) 50/50 = 3.9 dB Singlemode
- (9 micron diameter) 70/30 = 2.2 / 6.3 dB

\*approximate per fiber

#### ORDER INFORMATION

**Product**  
 TS-1408

#### Optional Equipment

SFP+ -SR/SX  
 SFP+ - LR/LX  
 SFP - SX  
 SFP - LX  
 SFP - RJ45

RMC- 2C

#### Description

SINGLEstream™ 8 Port 10G Aggregation Network Tap. Supports 1 tapped link, 6 any-to-any ports.

10G/1G Multimode Fiber Transceiver  
 10G/1G Singlemode Fiber Transceiver  
 1G Multimode Fiber Transceiver  
 1G Singlemode Fiber Transceiver  
 1G Copper Transceiver

Rack mount for TS-1406. Fits two units in a 1U chassis.

