



# SINGLEstream™ 1204



## 10/100/1000 Link Aggregation Tap SS-1204BT-BT-S



### Full Duplex Visibility for Single Interface Monitoring Solutions

#### Aggregation

Monitoring network traffic from two different sources is an important and frequent requirement in network analysis, commonly referred to as data "aggregation." For example, in order to properly troubleshoot most network problems, network professionals need to receive traffic from both sides of a full duplex conversation.

While traditional taps might enable full-duplex monitoring of all traffic on a network link, they transmit the data to the connected monitoring device in two separate half-duplex streams (one for Tx and one for Rx). Not only does this require the monitoring device to have two network interface cards, it also requires that the device be capable of combining and processing both streams of data in order to monitor both sides of the conversation. Not all monitoring systems, including the most popular software solutions, have the required hardware to aggregate traffic.

The SINGLEstream Link Aggregation Tap combines both directions of a full duplex data stream and allows any connected monitoring device, including those with only one NIC, to receive a copy of all the data - in a single trace file.

#### Dual Stream Mode

For dual-receive capable tools and times when there is no substitute for full line rate data capture (e.g. network attacks), the SINGLEstream can be configured to work exactly like a traditional full duplex tap, providing a copy of full-rate Gigabit data to connected tools in two separate streams (Tx and Rx).

#### LINKprotect™

Many traditional taps prevent the operation of redundant routing and failover systems because they keep both sides of the network invisible to the other. The built-in LINKprotect feature eliminates this point of network failure by continuously monitoring both sides of the tapped network for link status. If one side of the tap loses link status, LINKprotect™ will close the other side of the link, so routers and switches can engage protocols to bypass the failed link.

LINKprotect will also keep monitoring both sides of the link until repaired, where it can then automatically re-establish the primary link. Timers (polling and recovery) and link reestablishment settings (manual or auto) are all user-configurable on both sides of the link and provide a level of convenience and flexibility not previously available in copper Gigabit taps.

#### Regeneration

One-to-Many configurations replicate copies of identical network traffic to provide multiple tools monitoring access to the same links. In addition to eliminating contention for access to critical links, multiple tools can be connected to the same link for redundancy, testing, or advanced monitoring applications.

#### Reliable and Easy to Use

Unlike setting up operating systems and binding NICs, the SINGLEstream Link Aggregation Tap is simple to deploy, and every unit comes with dual redundant power supplies to ensure monitoring uptime.

### Highlights

- View entire full-duplex conversations using single-interface monitoring tools
- Decrease reliance on switch resources for network management visibility. Eliminate SPAN port contention, oversubscription, and configuration errors
- Deploy tools immediately without impacting your production network
- Easily share tap ports for improved monitoring without maintenance windows
- Single point of deployment and remote management minimizes management expenses and MTTR

### Features

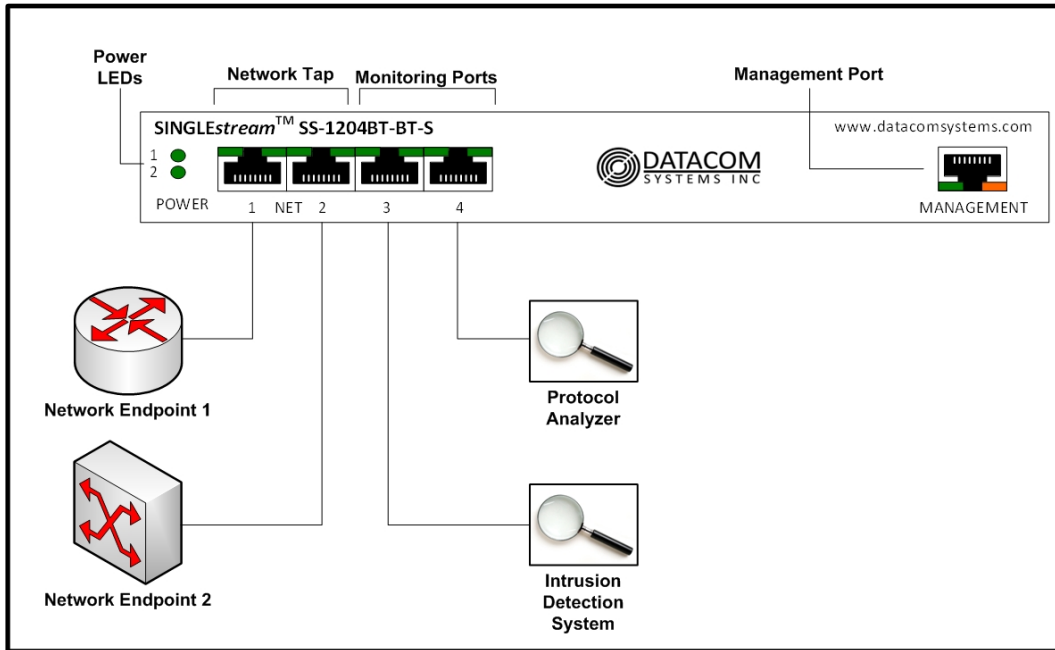
- Aggregation - Combine multiple network links or channels into one stream for visibility into complete network conversations
- LINKprotect™ - ensure automatic failover and recovery of redundant paths and routing protocols
- Regeneration - Send copies of traffic from the tap to multiple connected tools to share data sources
- 10/100/1000Mbps, with full/half duplex or autonegotiated.
- Stays invisible to the network for enhanced security
- SSH and SNMP v2c, v3
- Flexible traffic flow to monitoring tools - single-direction or bidirectional for traffic injection
- Dual Redundant Power ensures monitoring uptime.



# SINGLStream™ 1204



## 10/100/1000 Link Aggregation Tap SS-1204BT-BT-S



### Technical Specifications

#### PORTS

Network: One (1) 10/100/1000 Network Tap (RJ45)  
 Monitoring: Two (2) 10/100/1000 Any-to-Any Ports (RJ45)  
 Management (front): RJ45 @ 100 Mbps Full-Duplex  
 Serial (rear): DB9F

#### POWER REQUIREMENTS

Two (2) External AC Adapters (included)  
 Input: 100-240 VAC, 50-60Hz, 0.8A

#### CERTIFICATIONS

CE, RoHS, CAN ICES-3 (B)/NMB-3(B)

#### PHYSICAL DIMENSIONS (H x W x D)

1.10 x 8.00 x 7.00 in (2.79 x 20.32 x 17.78 cm)

#### WEIGHT

1.6 lbs (0.7 kgs)

#### ENVIRONMENT

Operating Temperature: 32° to 104°F (0° to 40°C)  
 Storage Temperature: -22° to 149°F (-30° to 65°C)  
 Humidity: 5 to 90% non-condensing

#### WARRANTY

One (1) Year Hardware Warranty included  
 Advanced Replacement-Next Day, 3rd Business Day options available.

#### ORDER INFORMATION

##### Product

SS-1204BT-BT-S

##### Description

SINGLStream™ 10/100/1000 Link Aggregation Tap with 2 - 10/100/1000 Any-to-Any Monitoring Ports with SSH, SNMP

##### Optional Equipment

RMC-2

2-TAP 1U Rack Mount Chassis

RMC-12-2

12-TAP 6U Rack Mount Chassis

RPS-12-5-AC (or -DC)

12-TAP Dual Redundant Rack Mountable Power Supply Unit (specify AC or DC)

