



SINGLEstream™ 1210



1G Link Aggregation Tap SS-1210LX-BT-S



Full Duplex Visibility for Single Interface Monitoring Solutions

Aggregation

Monitoring network traffic from two different sources is an important and frequent requirement in network analysis, commonly referred to as data "aggregation." For example, in order to properly troubleshoot most network problems, network professionals need to receive traffic from both sides of a full duplex conversation.

While traditional taps might enable full-duplex monitoring of all traffic on a network link they transmit the data to the connected monitoring device in two separate half-duplex streams (one for Tx and one for Rx). Not only does this require the monitoring device to have two network interface cards, it also requires that the device be capable of combining and processing both streams of data in order to monitor both sides of the conversation. Not all monitoring systems, including the most popular software solutions, have the required hardware to aggregate traffic.

The SINGLEstream Link Aggregation Tap combines both directions of a full duplex data stream and allows any connected monitoring device, including those with only one NIC, to receive a copy of all the data - in a single trace file.

Dual Stream Mode

For dual-receive capable tools and times when there is no substitute for full line rate data capture (e.g. network attacks), the SINGLEstream can be configured to work exactly like a traditional full duplex tap, providing a copy of full-rate Gigabit data to connected tools in two separate streams (Tx and Rx).

Regeneration

One-to-Many configurations replicate copies of identical network traffic to provide multiple tools monitoring access to the same links. In addition to eliminating contention for access to critical links, multiple tools can be connected to the same link for redundancy, testing, or advanced monitoring applications.

Reliable and Easy to Use

Unlike setting up operating systems and binding NICs, the SINGLEstream Link Aggregation Tap is simple to deploy, and every unit comes with dual redundant power supplies to ensure monitoring uptime.

Highlights

- View entire full-duplex conversations using single-interface monitoring tools
- Decrease reliance on switch resources for network management visibility.
- Eliminate SPAN port contention, oversubscription, and configuration errors
- Deploy tools immediately without impacting your production network
- Easily share tap ports for improved monitoring without maintenance windows
- Single point of deployment and remote management minimizes management expenses and MTTR

Features

- Aggregation - Combine multiple network links or channels into one stream for visibility into complete network conversations
- Regeneration - Send copies of traffic from the tap to multiple connected tools to share data sources
- 100% Uptime- Fiber tap is completely passive and won't disrupt the network even if power is lost to the tap
- Stays invisible to the network for enhanced security
- SSH and SNMP v2c, v3
- Flexible traffic flow to monitoring tools - single-direction or bidirectional for traffic monitoring
- Dual Redundant Power ensures monitoring uptime.

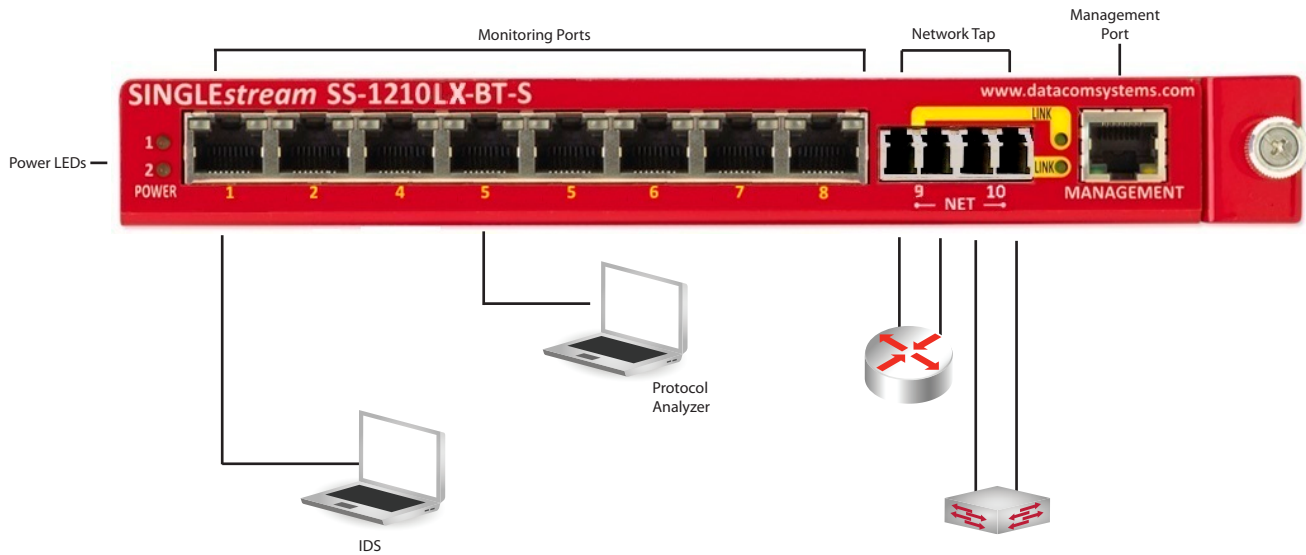
Pulse Supply
909 Ridgely Road, Sparks, Maryland 21152, USA
TEL : +1-410-583-1701 FAX : +1-410-583-1704
E-mail: sales@pulsesupply.com
https://www.pulsesupply.com/datacom-systems



SINGLEstream™ 1210



1G Link Aggregation Tap SS-1210LX-BT-S



Technical Specifications

PORTS

Network: One (1) LC Singlemode Fiber Network Tap
Monitoring: Eight (8) RJ45 Any-to-Any Ports
Management: RJ45 @ 100Mbps Full-Duplex
Serial (rear): DB9F

Split Ratio

50/50, 70/30 and 80/20
 Additional split ratios available

Power Requirements

Two (2) External AC Adapters (included)
 Input: 100-240 VAC, 50-60Hz, 0.8A

Certifications

CE, RoHS, CAN ICES-3 (B)/NMB-3(B)

PHYSICAL DIMENSIONS (H x W x D)

1.10 x 8.00 x 7.00 in (2.79 x 20.32 x 17.78 cm)

WEIGHT

1.6 lbs (0.7 kgs)

ENVIRONMENT

Operating Temperature: 32° to 104°F (0° to 40°C)
Storage Temperature: -22° to 149°F (-30° to 65°C)
Humidity: 5 to 90% non-condensing

WARRANTY

One (1) Year Hardware Warranty included
 Advanced Replacement-Next Day, 3rd Business Day options available.

Insertion Loss

Singlemode (9 micron diameter) 50/50 = 3.9dB
 Singlemode (9 micron diameter) 70/30 = 2.2/6.3dB

ORDER INFORMATION

Product

SS-1210LX-BT-S

Description

SINGLEstream™ 1210 Link Aggregation Tap with 8 - LC Fiber Any-to-Any Ports, SSH, SNMP, (9 micron), specify split ratio.

Optional Equipment

RMC-2	2-TAP 1U Rack Mount Chassis
RMC-12-2	12-TAP 6U Rack Mount Chassis
RPS-12-5-AC (or -DC)	12-TAP Dual Redundant Rack Mountable Power Supply Unit (specify AC or DC)

